

**Amendment No. 7****11.03.2023****Sub: Amendment to the Bidding Document**

**Ref.: Notice Inviting Bid ref. HITES/PCD/MCH-AIIMS/11/22-23 dated 09.11.2022 read with Amendment no. 1, 2, 3, 4, 5 & 6 dtd. 12.12.2022, 28.12.2022, 27.01.2023, 10.02.2023, 27.02.2023 & 10.03.2023 respectively and Bid Auto Extensions.**

The following changes have been authorised and are being incorporated in the above referred Bidding Document.

**SECTION-I****NOTICE INVITING TENDERS (NIT)**

S. No.	Tender ID	Brief Description of Goods	Quantity	Bid Security/EMD amount	
				Existing	<b>Amended As</b>
1.	2022_HLL_134888_1	Digital Subtraction Angiography	1	16,00,000	<b>36,00,000</b>

**Important Note to Prospective Bidders:**

In reference to the change in EMD amount, participating bidders, who had already submitted their Bid security/EMD in the form of DD, Bank Guarantee (BG) or FDR are instructed to amend their DD/BG/FDR accordingly.

**SECTION - VII****TECHNICAL SPECIFICATION AND GENERAL POINTS****A. TECHNICAL SPECIFICATION:****Item No. 1 (Tender ID: 2022 HLL 134888 1)****Digital Subtraction Angiography**

<b>Sr. No.</b>	<b>Document Para and Page</b>	<b>Existing Tender Specification</b>	<b>Amended As</b>
1	Para B (Patient Table), point 1, pg 45	The table should have motorized Vertical & longitudinal and free floating with head tilt facility.	The table should have motorized Vertical & longitudinal and free floating.

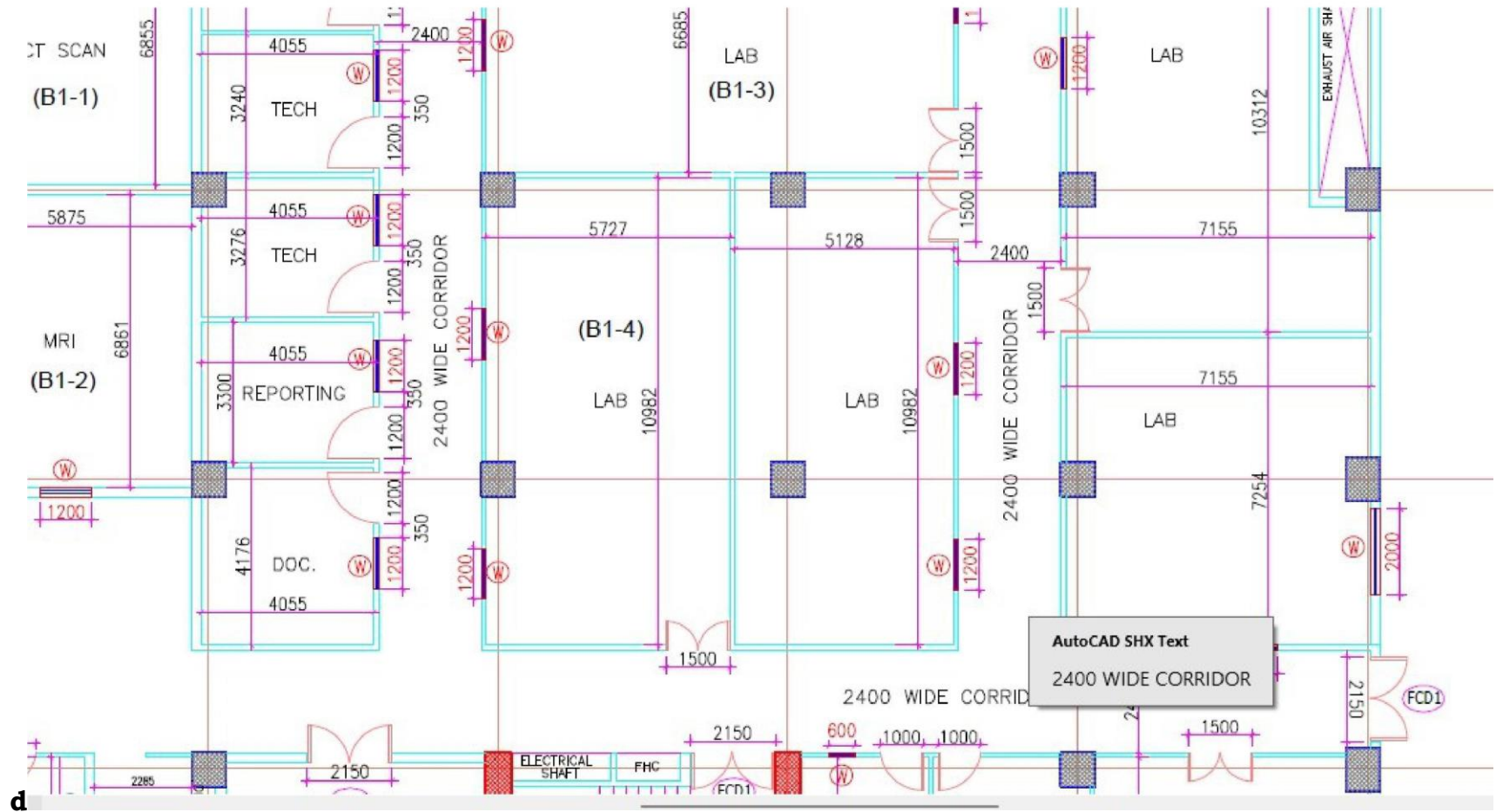
Sr. No.	Document Para and Page	Existing Tender Specification	Amended As
2	Para B (Patient Table), point 3, pg 45	It should be possible to swivel the table in case of emergencies	It should be possible to swivel the table or should have <b>multiple floating access</b> in case of emergencies
3	Para F (Biplane Digital System), point 7, pg 46	Control room shall have at least 2 no.s of widescreen Medical grade monitors for display of live, playback , reference images of each plane	Control room shall have at least <b>4 nos</b> of wide screen <b>(19" or more each)</b> Medical grade monitors for display of live, playback, reference images of each plane.
4	Para G (Digital Imaging System and essential softwares), point 16.8, pg 46	The system should have latest radiation safety package like Clarity IQ/CARE & CLEAR/Blueprint/ Optiq / Autoright / equivalent	The system should have latest radiation safety package like Clarity IQ/CARE & CLEAR/Blueprint/ Autoright / equivalent
5	Para (The Site Modification Work), Point 3, pg 48	<b>The Site Modification Work - Biplane D.S.A</b> : The cost of Site Modification Work for the area of 1500 sq.ft and Air-conditioning of Tonnage 25 TR (including standby unit) will be considered for Ranking /Evaluation purpose	The Site Modification Work - Biplane D.S.A : The cost of Site Modification Work for the area of <b>1300 sq.ft</b> and Air-conditioning of Tonnage <b>25 TR</b> (including standby unit) will be considered for Ranking /Evaluation purpose
6	BOQ pt 4, pg 52	Air Conditioning: 20 TR	Air Conditioning: <b>25 TR</b>
7	Para BOQ (Miscellaneous ), Point 8, pg 52	Optional items offered should be quoted separately and the price shall be added for bid-ranking purpose. The price should be valid for warranty period	Deleted
8	Para (The Site Modification Work), Point 2.d, pg 48	Patient stretcher and other furniture/ accessory to make the DR centre functional	Deleted
9	NA	<b>Added Para</b>  Para Furnitre, Para <b>m</b> , pg 50-	<b>Patient stretcher-01 No.</b>
10	Para (The Site Modification Work), pg 49	The scope of work includes complete Civil work, Electrical, Plumbing, Furnishing, Air-conditioning and Fire fighting for the installation of DSA system	amended as: The scope of work includes complete Civil work, Electrical, Plumbing, Furnishing, Air-conditioning and <b>Fire detection</b> for the installation of DSA system

<b>Sr. No.</b>	<b>Document Para and Page</b>	<b>Existing Tender Specification</b>	<b>Amended As</b>
11	Para Flooring a.1 , pg 49	600 x 600 mm vitrified tiles with 100 mm tile skirting to match in DSA Examination Room, console room, lobby and patient preparation areas, Radiologist room etc.	600 x 600 mm vitrified tiles with 100 mm tile skirting to match in entire <b>DSA complex</b> apart DSA Exam room, equipment room and <b>UPS room.</b>
12	Para Flooring a.2 , pg 49	50 mm thick cement concrete flooring with Vinyl flooring in Biplane DSA equipment / UPS room.	50 mm thick cement concrete flooring with Vinyl flooring in Biplane DSA <b>Exam room</b> , equipment / UPS room.
13	Para (AIR CONDITIONING), pg 50	Ventilation is required in toilet	Deleted
14	Para (Furniture) point K, pg 50	Any other furniture item as per requirement	Deleted
15	Para BOQ, Point 19, pg 52	Lead protected viewing glass (Size: 150cm X 90 cm)-1 No	Lead protected viewing glass (Size: 150 cm X <b>100 cm</b> ); 1 No
16	Para (Components of Site Modification Work), point 52, pg 52	Air Conditioning-20 TR	Air Conditioning-25 TR
17	BOQ Para 6(Components), pg 52	Miscellaneous items : 1Set	Deleted
18	Para (Site Modification Work), page 49	The actual area of site modification work works done will be considered for payment, based on the unit rates and site measurements	The actual area of site modification work done will be considered for payment on prorata basis, based on the unit rates and site measurements.
19	Para (Biplane D.S.A site) page 49	Added Para	Recovery room
20	Para BOQ (Miscellaneous), Point 8.a , pg 52	4D DSA	Deleted
21	Para BOQ (Miscellaneous), Point 8.b , pg 52	Software for 4D DSA	Deleted

<b>Sr. No.</b>	<b>Document Para and Page</b>	<b>Existing Tender Specification</b>	<b>Amended As</b>
22	Para BOQ (Miscellaneous), Point 8.C, pg 52	Aneurysn flow software	Deleted
23	Para 16, point 6, page 47	Software for 4D DSA to be offered (OPTIONAL)	Deleted
24	Para 16, point 7, page 47	Aneurysn flow software to be offered (OPTIONAL)	Deleted
25	Para 16, point 10, page 47	4D DSA if available should be quoted as OPTIONAL. The price of the same should be valid for warranty period.	Deleted

**Note:**

- (i) Based on the above amendment, Technical Compliance Sheet 'Tech Compl\_2022\_HLL\_134888\_1\_Ver1.0' in CPP portal has been superseded by a new version i.e. 'Tech Compl\_2022\_HLL\_134888\_1\_Ver1.1'. The same need to be downloaded for submission by participating bidders.
- (ii) Based on the above amendment, Price Bid Format 'PriceBid\_2022\_HLL\_134888\_1\_Ver1.0' in CPP portal has been superseded by a new version i.e. 'PriceBid\_2022\_HLL\_134888\_1\_Ver1.1'. The same need to be downloaded for submission by participating bidders.



**Indicative Layout Drawing for**

**Tender ID: 2022\_HLL\_134888\_1 (Digital Subtraction Angiography)**

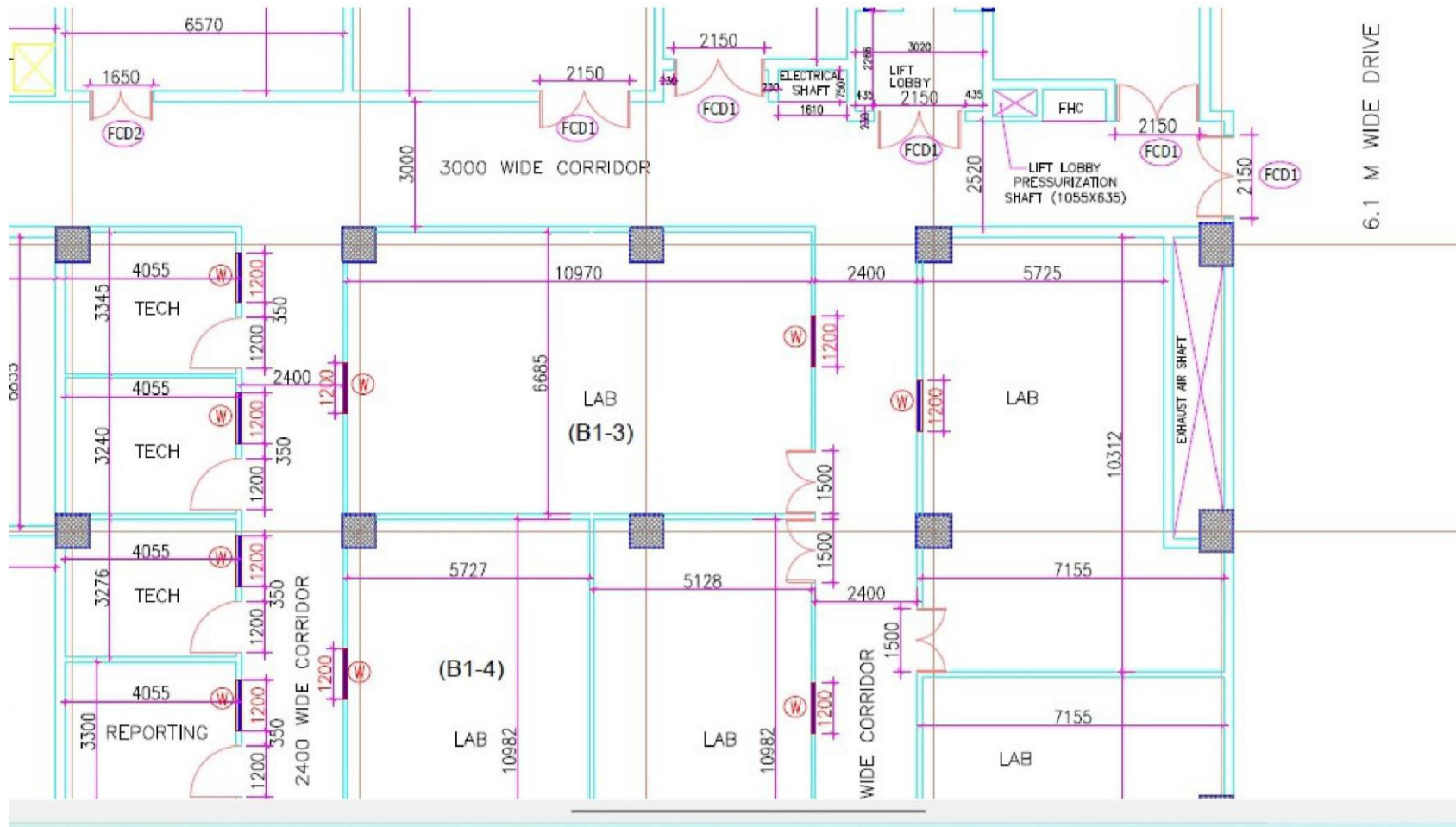
**Item No. 2 (Tender ID: 2022 HLL 134888 2)****DEXA**

<b>Sr. No.</b>	<b>Document Para and Page</b>	<b>Existing Tender Specification</b>	<b>Amended As</b>
1	Para A (Scanner hardware and acquisition technology), point 4, pg 53	Multi-element solid state detector array, at least 64 detectors	Multi-element solid state detector array, at least 216 detectors
2	Para C, pt 1, pg 53	Facility for supine or lateral decubitus positions	Facility for Both Supine lateral and Lateral decubitus position
3	Para C, pt 11, pg 53	Whole body composition analysis	Whole body Phantom along with the Table
4	Para C, pt 16, pg 54	The system should be compatible for future up gradation to perform trabecular bone score ( TBS ) in spine	The system should perform trabecular bone score (TBS) software as a standard feature.
5	Para F, pt 8, pg 54	LaserJet color printer along with consumables supplied for initial startup. All consumable prices to be quoted separately.	LaserJet color printer along with 8 sets of cartridges supplied for initial startup in staggered manner.
6	Para M, pt 1,2,3, pg 55	Lead apron, lead protection barrier, lead lining of door and window	Lead apron, lead protection barrier, lead lining of door and window, Indicator light
7	NA	Suggested by bidder	Infant whole body scan
8	Para L(Site modification works), pg 54	The payment shall be made as per the actual work done	The actual area of site modification work done will be considered for payment on prorata basis, based on the unit rates and site measurements.
9	Para L(Site modification works), pg 54	Bidder to execute site modification works in an area of approx. 300 sq feet as per AERB norms.	The cost of Site Modification Work for the area of 400 sq. ft and Air-conditioning of Tonnage 6TR (including standby unit) will be considered for Ranking /Evaluation purpose
10	Para L (Site modification works), pg. 54	Name of the particulars	Civil works

<b>Sr. No.</b>	<b>Document Para and Page</b>	<b>Existing Tender Specification</b>	<b>Amended As</b>
11	Para L(Site modification works), pt. 1, pg 54	Construction of 9” brick wall: 60 sq. meter	Construction of 9” brick wall
12	Para L(Site modification works),pt. 2, pg 54	Provision of wall tiles- Reputed make: 30 sq. meter	Provision of wall tiles- Reputed make
13	Para L(Site modification works), pt. 3, pg 54	Provision of Floor tiles- Reputed make 20 sq. meter	Provision of Floor tiles- Reputed make
14	Para L(Site modification works), pt 4, pg 55	Provision of false ceiling – reputed make 20 sq. meter	Provision of false ceiling – reputed make

**Note:**

- (i) Based on the above amendment, Technical Compliance Sheet ‘TechCompl\_2022\_HLL\_134888\_2\_Ver1.0’ in CPP portal has been superseded by a new version i.e. ‘TechCompl\_2022\_HLL\_134888\_2\_Ver1.1’. The same need to be downloaded for submission by participating bidders.
- (ii) Based on the above amendment, Price Bid Format ‘PriceBid\_2022\_HLL\_134888\_2\_Ver1.0’ in CPP portal has been superseded by a new version i.e. ‘PriceBid\_2022\_HLL\_134888\_2\_Ver1.1’. The same need to be downloaded for submission by participating bidders.



**Indicative Layout Drawing for**  
**Tender ID: 2022 HLL 134888 2 (DEXA)**



The following changes have been authorised and are being incorporated in the referred Bidding Document for the tender of **'Digital Subtraction Angiography (Tender ID: 2022\_HLL\_134888\_1)** only:

Sr. No.	Tender document Para & Page	Existing Tender Clause	Amended As
1	SECTION – VI List of Requirement  Part II: Required Delivery Schedule: <b>Point a &amp; b.</b> Pg. 43 of TED.	Installation and Commissioning shall be done at the earliest but not later than 15 days of delivery of goods at site or date of handing over the site for installation, whichever is later.	Installation and Commissioning shall be done at the earliest but not later than <b>45 (forty Five)</b> days of delivery of goods at site or date of handing over the site for installation, whichever is later.
2	Uptime & Downtime penalty: Pg. 56 & 57.	During the Warranty period and CAMC period, desired Uptime of 95% of 365/366 (Leap Year) days (24 hrs), if downtime more than 5%, the warranty period/CAMC period will be extended by double the downtime period. In addition a penalty equal to amount of 0.25 % of the total cost of equipment per day will be liveable for the excess downtime period. Complaints should be attended properly, maximum within 8 hrs.	During the Warranty period and CAMC period, desired Uptime of 95% of 365/366 (Leap Year) days (24 hrs), if downtime more than 5%, the warranty period/CAMC period will be extended by double the downtime period. Complaints should be attended properly, maximum within 8 hrs.

**All other contents of the Bidding Document including terms & conditions remain unaltered.**